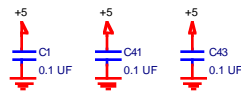
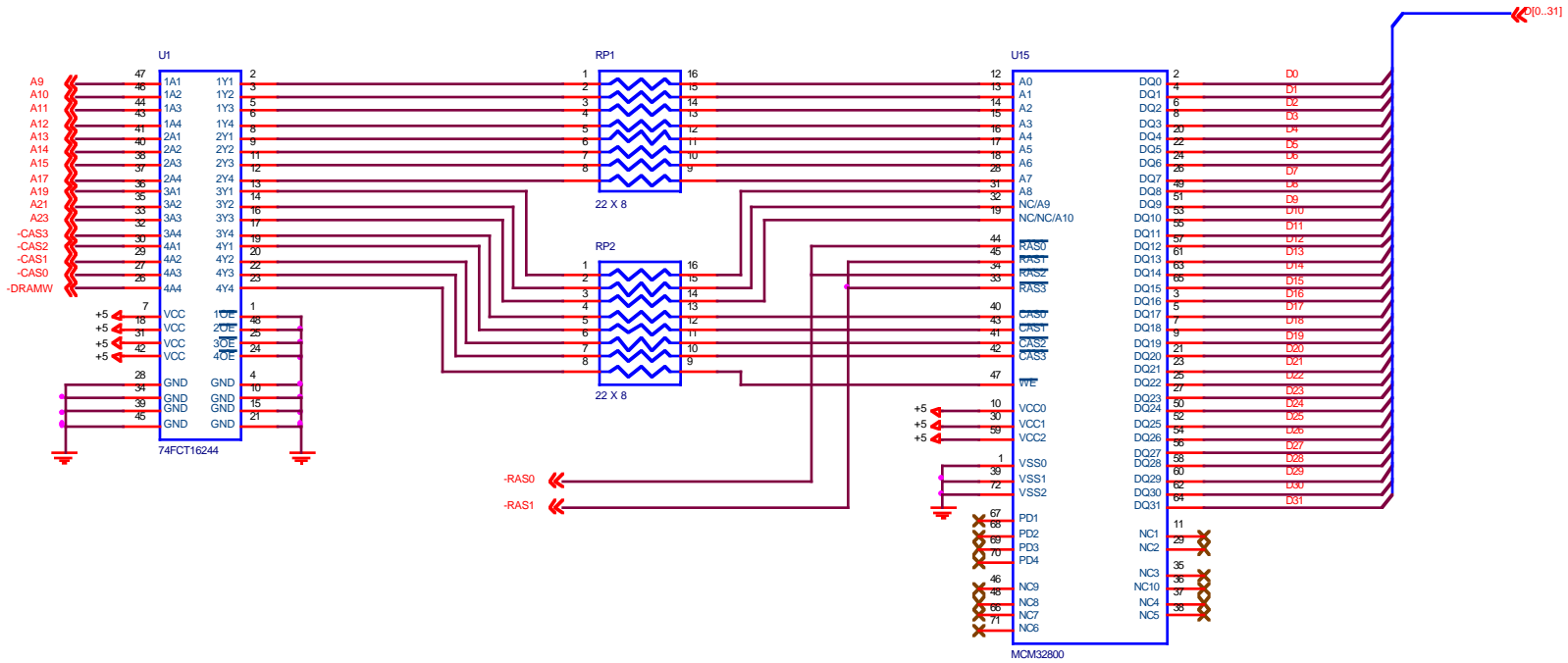


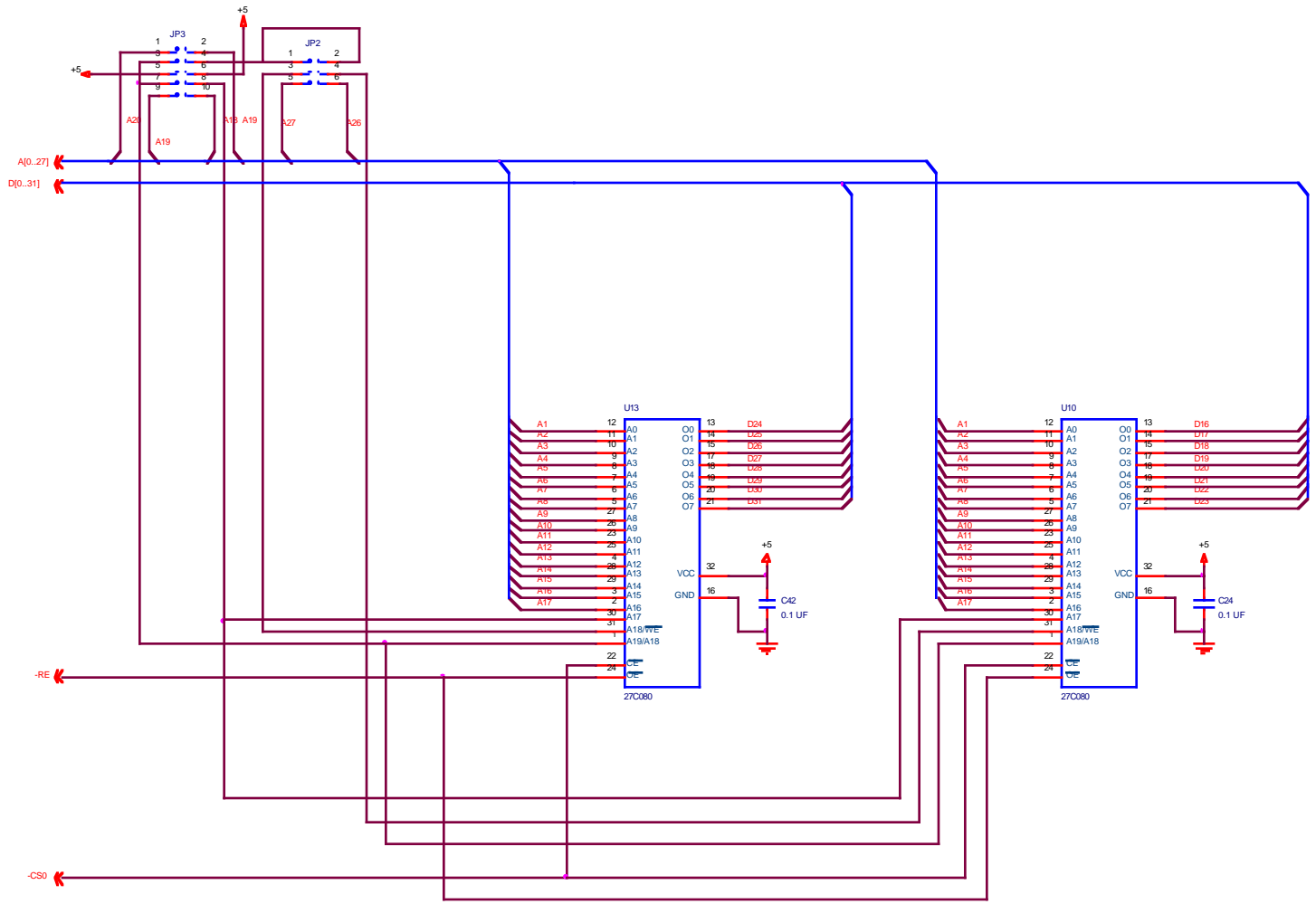
COPYRIGHT ARNEWSH, INC., P.O. BOX 270352, FORT COLLINS, CO 80527-0352.

Part	SBC5206 CPU		
Doc	Document Number		
Rev	B	ARN.SBC5206.CPU	1.0
Date	Friday, November 29, 1996	Sheet	1 of 3



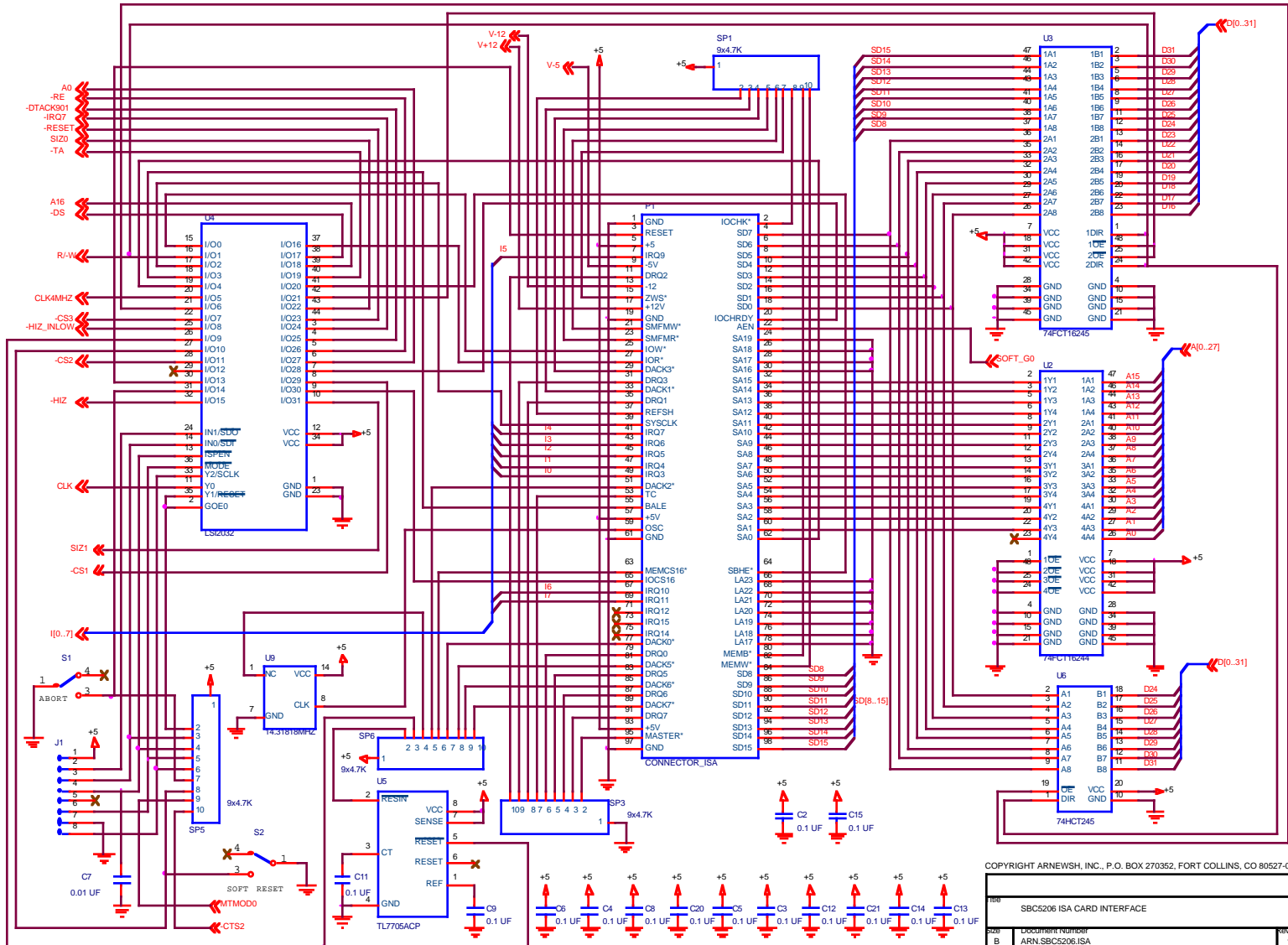
COPYRIGHT ARNEWSH, INC., P.O. BOX 270352, FORT COLLINS, CO 80527-0352

Title		
SBC5206 RAM		
Size	Document Number	Rev
B	ARN.SBC5206.RAM	1.0
Date:	Friday, November 29, 1996	Sheet 2 of 5



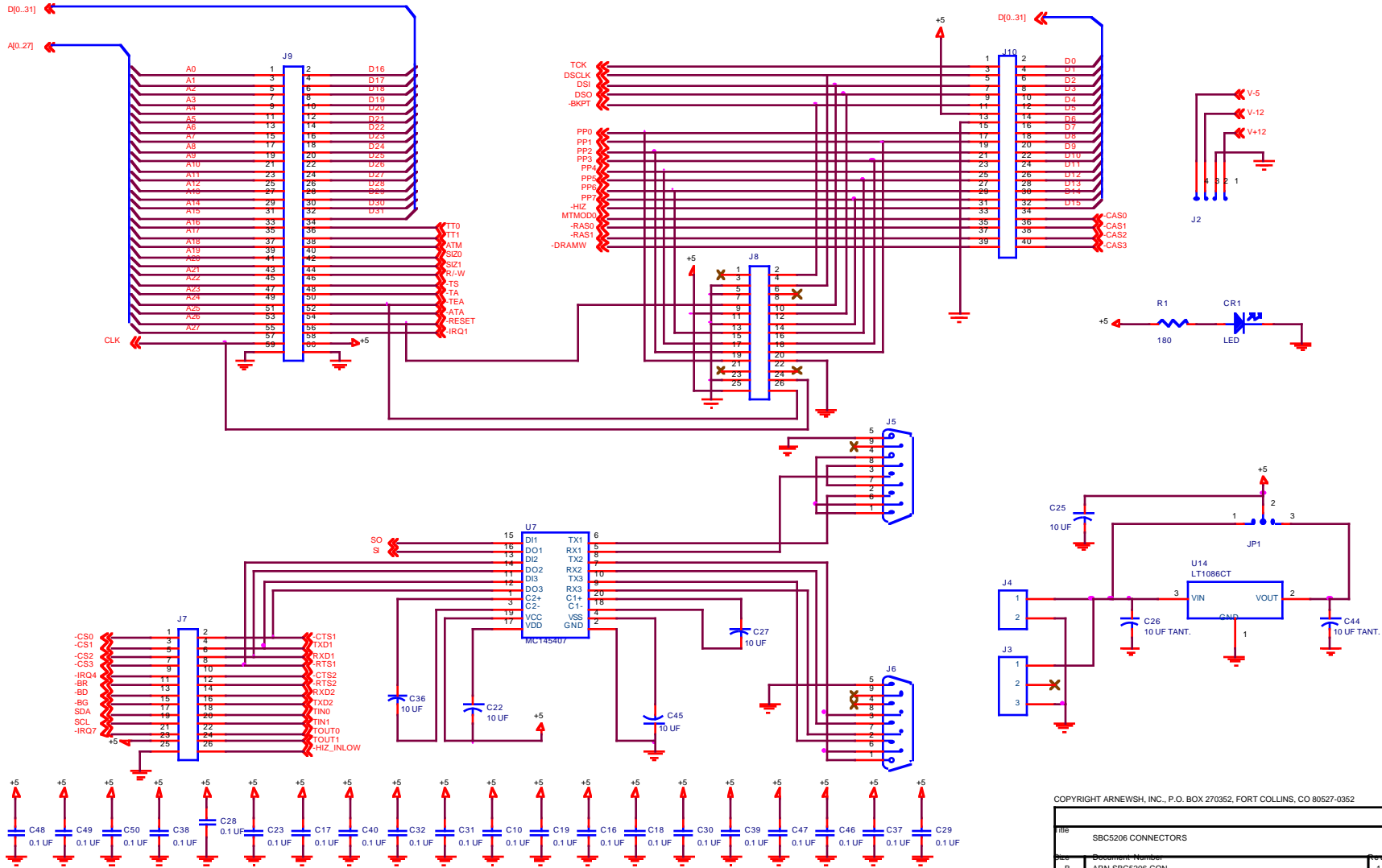
COPYRIGHT ARNEWSH, INC., P.O. BOX 270352, FORT COLLINS, CO 80527-0352

REV	SBC5206.ROM		REV
REV	DESCRIPTION NUMBER	REV	1.0
B	ARN.SBC5206.ROM		
DATE:	PRINTED: NOVEMBER 23, 1990	BY:	3 01 3



COPYRIGHT ARNEWSH, INC., P.O. BOX 270352, FORT COLLINS, CO 80527-0352

SBC5206 ISA CARD INTERFACE		
REV B	Document Number ARN-SBC5206.ISA	REV 1.0
DATE: Friday, November 24, 1990	PRINT: 4	OF: 5



COPYRIGHT ARNEWSH, INC., P.O. BOX 270352, FORT COLLINS, CO 80527-0352

File: SBC5206 CONNECTORS		
Rev: B	Document Number: ARN.SBC5206.CON	Rev: 1.0
Date: Friday, November 29, 1996	Sheet: 5	of 5